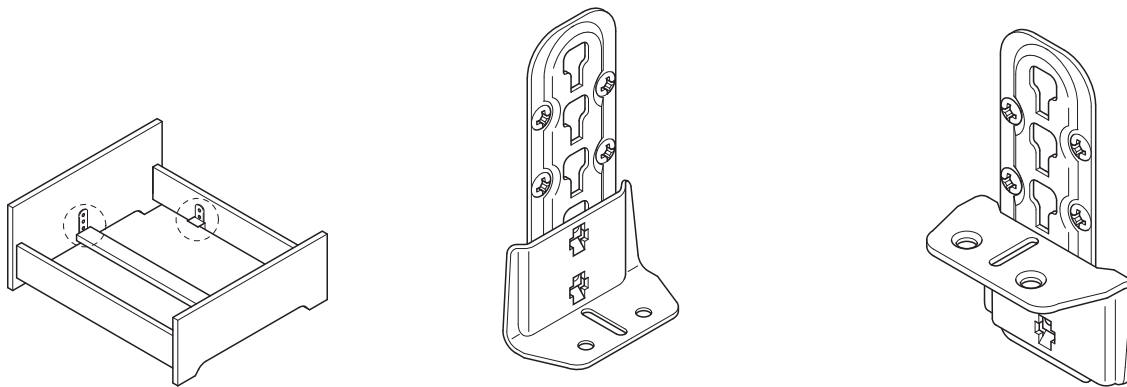
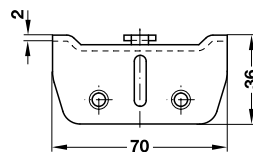
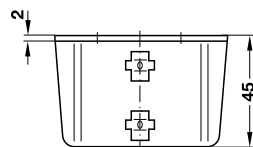
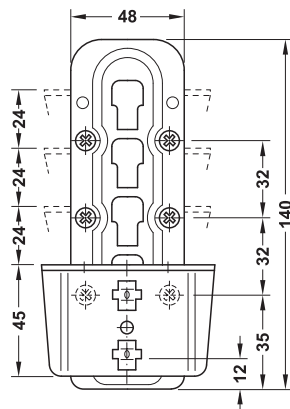
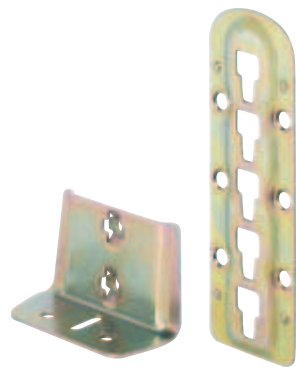


→ For central-tie bar and slatted frame supports

Height adjustable



- Area of application: For single and double beds as slatted bed/sofa frame or central tie-bar support
- Adjustment facility: Three-stage vertical adjustment, 4 attachment positions
- Installation: For screw fixing



**Installation reference**

When used on double beds with a 35 mm thick central tie-bar, the mounting plates must be mounted on the headboard and foot section **5 mm higher** than those on the side panels so that the supporting surfaces of the bracket and the central tie-bar are level.

**Supplied with**

- 1 Mounting plate
- 1 Supporting bracket

Height mm	Material	Finish	Cat. No.
140	Steel	Yellow chromated	273.41.540

Packing: 20 pieces

DGH-M-INT 2013, HDE-en, 01/13, Dimensional data not binding. We reserve the right to alter specifications without notice.